

DESCRIPTION

The DH-120 features a long horn which permits sounds to easily pass through and is ideal for providing public address information. It is designed to be used in conjunction with 2 driver unit, and has an internal anti-bird net to prevent insects and birds from getting into the unit.

SPECIFICATIONS

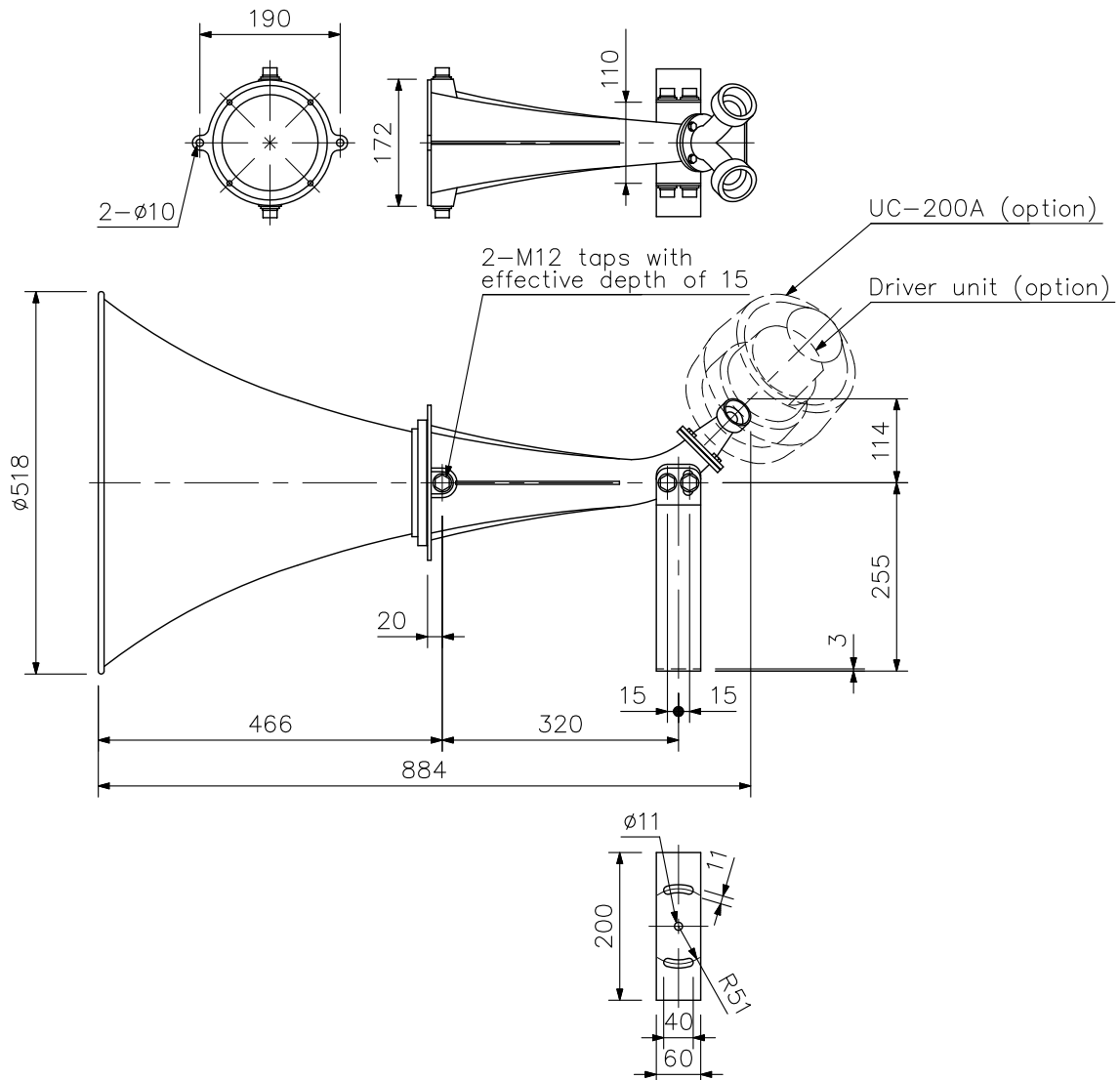
* When TU-631 or TU-651 series is used

Sound Pressure Level	110 dB (1 W, 1 m) *
Frequency Response	180 Hz - 6 kHz *
Applicable Unit	TU-631, TU-651, TU-631M, TU-651M
Driver Coupling	1 - 3/8 18 threads (inch screw)
Variable Installation Angle	Vertical: +10°, -20° (when locally procured mounting bracket is used)
Finish	Horn A: Aluminum, ivory, powder coating L-shaped adapter and Adapter: Aluminum, ivory, powder coating Bracket: Steel plate, ivory, powder coating
Dimensions	ø518 × 884 (D) mm
Weight	5.3 kg
Accessory	Stainless steel bolt for assembly...1set, Gasket...1set, Anti-bird net...1set

Note

- (1) An optional UC-200A cover protects the driver unit from the rain, snow, sand, sunlight, and salt water.
- (2) Only the bracket does not ensure the sufficient strength. Prepare separately a bracket mountable utilizing 2 M12 screw taps.

APPEARANCE



UNIT:mm SCALE:1/10